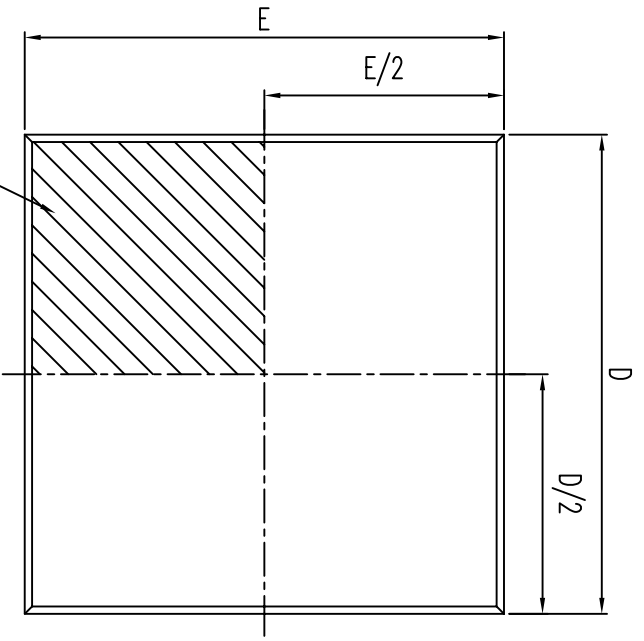
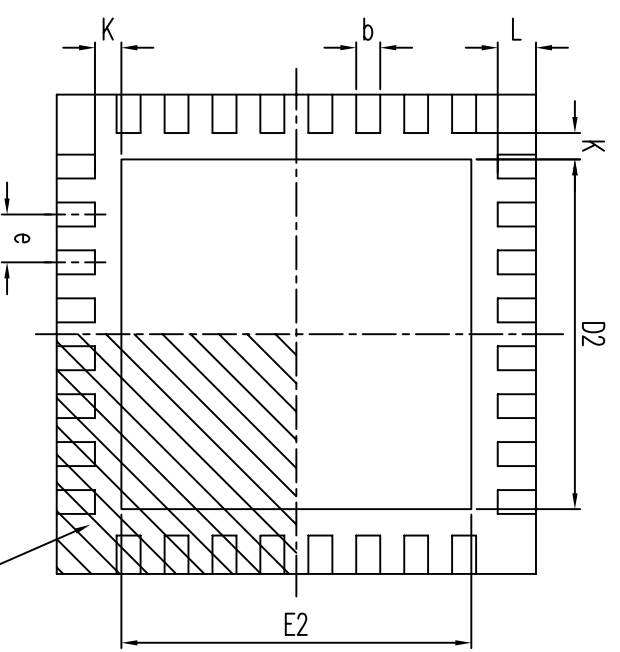


REV.	DESCRIPTION	BY	DATE
ORIG.	DRAWING ISSUE	SANDY CHEN	06.19.2014

TOP VIEW



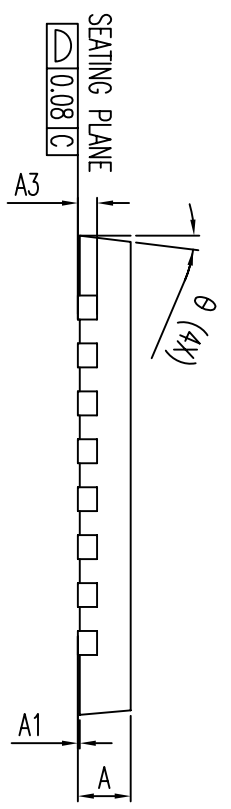
BOTTOM VIEW



SYMBOL	DIMENSION IN MM		
	MIN.	NOM.	MAX.
A	0.50	0.55	0.60
A1	0	0.02	0.05
A3	0.20 REF.		
D	5.00 BASIC		
D2	3.50	3.65	3.80
E	5.00 BASIC		
E2	3.50	3.65	3.80
e	0.50 BASIC		
b	0.18	0.25	0.30
L	0.35	0.40	0.45
K	0.20		
θ	0°		14°
JEDEC	MO-220 (Variation WHHD-4)		

TERMINAL #1
INDEX AREA
(D/2 X E/2)

TERMINAL #1
INDEX AREA
(D/2 X E/2)



SIDE VIEW

		Chant World Technology Inc.	
TITLE UQFN 32L PACKAGE OUTLINE			
BODY SIZE : 5 X 5 MM			
DESIGNED	SANDY CHEN	06.19.2014	
CHECKED	SANDY CHEN	06.19.2014	
APPROVED	SANDY CHEN	06.19.2014	
UNIT		FILE NAME : UQFN32L(5x5x0.55)	DWG. NO.: CW-PY-006A
QTY			A3
ANGULAR	\pm	ROUGH-	
NESS		SCALE	18 : 1